



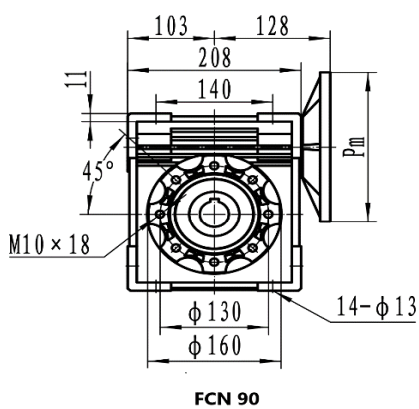
DATOS MOTOR

| | |
|----------------------|---------|
| POTENCIA | 4HP |
| REVOLUCIONES | 1760 |
| FRECUENCIA | 60HZ |
| TORQUE MOTOR NOMINAL | 16,6 |
| CARCASA (PAM) | 100(B5) |
| TIPO BRIDA | FF-215 |
| EFICIENCIA MOTOR | IE 2 |

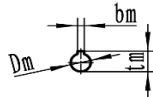
DATOS REDUCTOR

| | |
|----------------------------|-----------|
| REFERENCIA | 550020 |
| TIPO | ORTOGONAL |
| MODELO | FCN |
| MATERIAL | ALUMINIO |
| CARCASA | 90 |
| RELACION DE TRANSMISION i: | 20 |
| VELOCIDAD SALIDA | 88,00 |
| TORQUE MAXIMO | 352 |
| TORQUE OPERACIÓN | 279 |
| FACTOR DE SERVICIO | 1,3 |

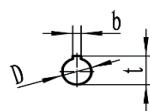
PLANOS REDUCTOR



Input shaft hole



Output shaft hole



| Dimensions of Output Shaft | | | |
|----------------------------|-------|------|--|
| D H7 | b D10 | t | |
| 35 | 10 | 38.3 | |

| | Pm | Dm | bm | tm |
|------------|-----|----|----|------|
| 80B5 | 200 | 19 | 6 | 21.8 |
| 80B14 | 120 | | | |
| 90B5 | 200 | 24 | 8 | 27.3 |
| 90B14 | 140 | | | |
| 100/112B5 | 250 | 28 | 8 | 31.3 |
| 100/112B14 | 160 | | | |

